

The new STEYR S front loader series

THE PERFECT **MATCH** IS JUST IN FRONT OF YOU



Your partner to rely on.

STEYR
TRAKTOREN

LOADER SPECIFICATIONS **KOMPAKT S 4055 - 4065**

U MODELS

S3512U

S3814U

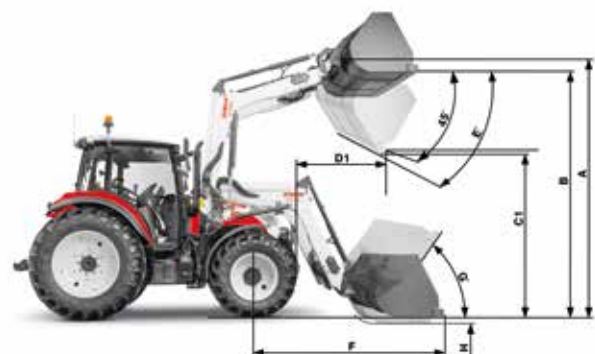
	S3512U	S3814U
Self-levelling type	Mechanical Self Levelling	Mechanical Self Levelling
Loader Working Pressure [bar]	190	190
LIFT HEIGHTS		
A – Maximum lift height at implement pivot pin ¹⁾ [mm]	3482	3738
B – Maximum lift height under horizontal bucket ¹⁾ [mm]	3194	3450
C1 – Clearance under dumped bucket at Max dumped angle [mm]	2625	2881
D1 – Maximum reach at lift height / tires (bucket at 45° dumped position) [mm]	1098	837
WORKING ANGLES		
E – Maximum dumped angle ¹⁾ [°]	50	50
F – Reach with bucket on ground ¹⁾ [mm]	2436	2554
G – Maximum rollback angle ¹⁾ at ground level [°]	50	49
DIGGING DEPTH		
H - Digging depth* [°]	243	243
LIFTING CAPACITY		
Lift capacity to Maximum height - at implement pivot ¹⁾ [kg]	1447	1690
Lift capacity to 1.5 m height - at pivot point ¹⁾ [kg]	1508	1699
Breakout force at pivot pin ¹⁾ [kg]	1681	1890
Bucket rollback force at maximum height ¹⁾ [kg]	1170	1457
Bucket rollback force at ground level ¹⁾ [kg]	857	1070
CYCLE TIME		
Raising time [sec.]	3.4	3.8
Lowering time [sec.]	2.1	2.5
Bucket dumped time from crowded position at max height [sec.]	0.6	0.5
Bucket Rollback time at ground level [sec.]	0.9	0.7
FEATURES		
Loader ready frame ²⁾	●	●
3 rd hydraulic function	●	●
MACH 2® (for 3 rd function implement coupling)	●	●
4 th hydraulic function	●	●
MACH 2® (for 4 th function implement coupling)	●	●
SHOCK ELIMINATOR® System	●	●
Electrical On / Off switch Shock Eliminator	●	●
MACH System®	●	●
FITLOCK 2+ System®	●	●
EURO QUICK ATTACH IMPLEMENT CARRIER	●	●
MX QUICK ATTACH IMPLEMENT CARRIER	●	●
OTHER QUICK OPTIONS: MX – EURO, EURO – SMS, MX – FAUCHEUX WHITE, EURO – TENIAS, EURO - SIGMA 4	●	●
FAST-LOCK System® (for EURO or MX QUICK ATTACH)	●	●
AUTO-UNLOAD System®	–	–
PCH SYSTEM® - Hydraulic self-levelling system	–	–
Mechanic self-levelling (MSL)	●	●
CONFIGURATION		
Model used to collect data	KOMPAKT 4065S	KOMPAKT 4065S
Front tyres	11.2 R24	11.2 R24
Rear tyres	420/85 R30	420/85 R30
Required counterweight to meet EN 12525 safety standard	839	1090

Data collected with a STEYR KOMPAKT 4065 S equipped with 11.2 R24 front tyres and 420/85 R30 rear tyres.

¹⁾ According to ASABE S301.5

²⁾ Factory installed or with front loader option for dealer installation

● Standard ● Optional – Not available



T MODEL**S3814T**

Self-levelling type	Hydraulic Self Levelling
Loader Working Pressure [bar]	190
LIFT HEIGHTS	
A – Maximum lift height at implement pivot pin ¹⁾ [mm]	3737
B – Maximum lift height under horizontal bucket ¹⁾ [mm]	3449
C1 – Clearance under dumped bucket at Max dumped angle [mm]	2880
D1 – Maximum reach at lift height / tires (bucket at 45° dumped position) [mm]	837
WORKING ANGLES	
E – Digging depth ¹⁾ [°]	50
F – Reach with bucket on ground ¹⁾ [mm]	2554
G – Maximum rollback angle ¹⁾ at ground level [°]	49
DIGGING DEPTH	
H – Digging depth* [°]	243
LIFTING CAPACITY	
Lift capacity to Maximum height - at implement pivot ¹⁾ [kg]	1578
Lift capacity to 1.5 m height - at pivot point ¹⁾ [kg]	1726
Breakout force at pivot pin ¹⁾ [kg]	1912
Bucket rollback force at maximum height ¹⁾ [kg]	1293
Bucket rollback force at ground level ¹⁾ [kg]	1370
CYCLE TIME	
Raising time [sec.]	3.8
Lowering time [sec.]	2.5
Bucket dumped time from crowded position at max height [sec.]	1.9
Bucket Rollback time at ground level [sec.]	1.1
FEATURES	
Loader ready frame ²⁾	●
3 rd hydraulic function	●
MACH 2® (for 3 rd function implement coupling)	●
4 th hydraulic function	●
MACH 2® (for 4 th function implement coupling)	●
SHOCK ELIMINATOR® System	●
Electrical On / Off switch Shock Eliminator	●
MACH System®	●
FITLOCK 2+ System®	●
EURO QUICK ATTACH IMPLEMENT CARRIER	●
MX QUICK ATTACH IMPLEMENT CARRIER	●
OTHER QUICK OPTIONS: MX – EURO, EURO – SMS, MX – FAUCHEUX WHITE, EURO – TENIAS, EURO – SIGMA 4	●
FAST-LOCK System® (for EURO or MX QUICK ATTACH)	●
AUTO-UNLOAD System®	●
PCH SYSTEM® - Hydraulic self-levelling system	●
Mechanic self-levelling (MSL)	–
CONFIGURATION	
Model used to collect data	KOMPAKT 4065S
Front tyres	11.2 R24
Rear tyres	420/85 R30
Required counterweight to meet EN 12525 safety standard	1192

LOADER SPECIFICATIONS **KOMPAKT 4080 - 4120**

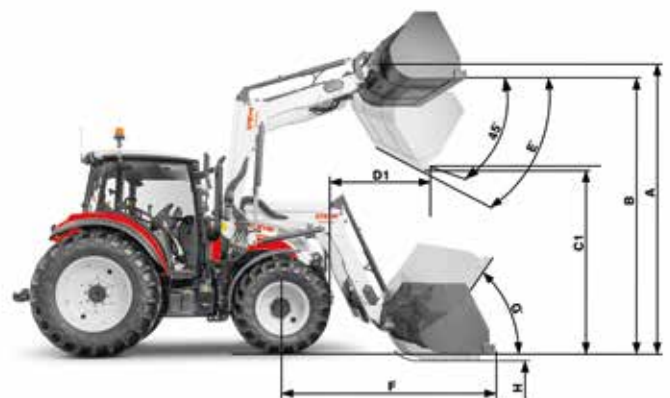
U MODELS	S3814U	S3816U	S3916U	S3920U	S4018U
Self-levelling type	Mechanical Self Levelling	Mechanical Self Levelling	Mechanical Self Levelling	Mechanical Self Levelling	Mechanical Self Levelling
Loader working pressure [bar]	190	190	190	190	190
LIFT HEIGHTS					
A – Maximum lift height at implement pivot ¹⁾ [mm]	3786	3786	3829	3829	3927
B – Maximum lift height under horizontal bucket ¹⁾ [mm]	3504	3504	3547	3547	3645
C1 – Clearance under dumped bucket at max dumped angle [mm]	2894	2894	2937	2937	3035
D1 – Maximum reach at lift height / tires (bucket at 45° dumped position) [mm]	1035	1035	1049	1049	991
WORKING ANGLES					
E – Maximum dumped angle ¹⁾ [°]	57	57	57	57	57
F – Reach with bucket on ground ¹⁾ [mm]	2370	2370	2508	2508	2654
G – Maximum rollback angle ¹⁾ at ground level [°]	44	44	45	45	46
DIGGING DEPTH					
H – Digging depth ¹⁾ [°]	212	212	262	262	302
LIFTING CAPACITY					
Lift capacity to maximum height – at implement pivot ¹⁾ [kg]	1528	1832	1975	2319	2259
Lift capacity to 1.5m height – at pivot point ¹⁾ [kg]	1706	2051	2103	2475	2363
Breakout force at pivot pin ¹⁾ [kg]	1990	2389	2340	2754	2597
Bucket rollback force at maximum height ¹⁾ [kg]	1495	2041	1848	2279	1949
Bucket rollback force at ground level ¹⁾ [kg]	956	1320	1778	2194	1962.0
CYCLE TIME					
Raising time [sec.]	3.8	4.5	4.7	5.4	5.4
Lowering time [sec.]	2.5	2.8	2.9	3.2	3.2
Bucket dumped time from crowded position at max height [sec.]	0.5	0.6	0.8	0.9	0.8
Bucket rollback time at ground level [sec.]	0.7	0.9	1.1	1.3	1.0
FEATURES					
Loader ready frame ²⁾	●	●	●	●	●
3 rd hydraulic function	●	●	●	●	●
MACH 2® (for 3 rd function implement coupling)	●	●	●	●	●
4 th hydraulic function	●	●	●	●	●
MACH 2® (for 4 th function implement coupling)	●	●	●	●	●
SHOCK Eliminator® System	●	●	●	●	●
Electrical On / Off switch SHOCK Eliminator®	●	●	●	●	●
MACH System®	●	●	●	●	●
FITLOCK 2+ System®	●	●	●	●	●
EURO quick attach implement carrier	●	●	●	●	●
MX quick attach implement carrier	●	●	●	●	●
Other quick options: MX – EURO, EURO – SMS, MX – FAUCHEUX WHITE, EURO – TENIAS, EURO – SIGMA 4	●	●	●	●	●
FAST-LOCK System® (for EURO or MX quick attach)	●	●	●	●	●
AUTO-UNLOAD System®	–	–	–	–	–
PCH System® – Hydraulic self-levelling system	–	–	–	–	–
Mechanic Self-Levelling (MSL)	●	●	●	●	●
CONFIGURATION					
Model used to collect data	KOMPAKT 4090	KOMPAKT 4090	KOMPAKT 4090	KOMPAKT 4090	KOMPAKT 4090
Front tyres	340/85 R24	340/85 R24	340/85 R24	340/85 R24	340/85 R24
Rear tyres	420/85 R34	420/85 R34	420/85 R34	420/85 R34	420/85 R34
Required counterweight to meet EN 12525 safety standard	645	1021	1071	1476	1452

Data collected with a STEYR KOMPAKT 4090 equipped with 340/85 R24 front tyres and 420/85 R34 rear tyres, with highest rated front axle.

¹⁾ According to ASABE S301.5

²⁾ Factory installed or with front loader option for dealer installation

● Standard ● Optional – Not available



T MODELS
S3814T
S3917T
S3920T
S4020T

	Hydraulic Self Levelling	Hydraulic Self Levelling	Hydraulic Self Levelling	Hydraulic Self Levelling
Self-levelling type				
Loader working pressure [bar]	190	190	190	190
LIFT HEIGHTS				
A – Maximum lift height at implement pivot ¹⁾ [mm]	3786	3,829	3829	3927
B – Maximum lift height under horizontal bucket ¹⁾ [mm]	3504	3,547	3547	3645
C1 – Clearance under dumped bucket at max dumped angle [mm]	2894	2,937	2937	3035
D1 – Maximum reach at lift height / tires (bucket at 45° dumped position) [mm]	1036	1049	1049	991
WORKING ANGLES				
E – Maximum dumped angle ¹⁾ [°]	57	57	57	57
F – Reach with bucket on ground ¹⁾ [mm]	2370	2508	2508	2654
G – Maximum rollback angle ¹⁾ at ground level [°]	44	45	45	46
DIGGING DEPTH				
H – Digging depth ¹⁾ [°]	212	262	262	302
LIFTING CAPACITY				
Lift capacity to maximum height – at implement pivot ¹⁾ [kg]	1446	1807	2138	2081
Lift capacity to 1.5m height – at pivot point ¹⁾ [kg]	1734	2046	2404	2311
Breakout force at pivot pin ¹⁾ [kg]	2007	2267	2665	2535
Bucket rollback force at maximum height ¹⁾ [kg]	1350	1894	1894	1882
Bucket rollback force at ground level ¹⁾ [kg]	1274	2023	2023	2068
CYCLE TIME				
Raising time [sec.]	3.8	4.7	5.4	5.4
Lowering time [sec.]	2.5	2.9	3.2	3.2
Bucket dumped time from crowded position at max height [sec.]	1.9	1.9	2.7	2.7
Bucket rollback time at ground level [sec.]	1.1	1.9	1.9	1.9
FEATURES				
Loader ready frame ²⁾	●	●	●	●
3 rd hydraulic function	●	●	●	●
MACH 2® (for 3 rd function implement coupling)	●	●	●	●
4 th hydraulic function	●	●	●	●
MACH 2® (for 4 th function implement coupling)	●	●	●	●
SHOCK Eliminator® System	●	●	●	●
Electrical On / Off switch SHOCK Eliminator®	●	●	●	●
MACH System®	●	●	●	●
FITLOCK 2+ System®	●	●	●	●
EURO quick attach implement carrier	●	●	●	●
MX quick attach implement carrier	●	●	●	●
Other quick options: MX – EURO, EURO – SMS, MX – FAUCHEUX WHITE, EURO – TENIAS, EURO – SIGMA 4	●	●	●	●
FAST-LOCK System® (for EURO or MX quick attach)	●	●	●	●
AUTO-UNLOAD System®	●	●	●	●
PCH System® – Hydraulic self-levelling system	●	●	●	●
Mechanic Self-Levelling (MSL)	–	–	–	–
CONFIGURATION				
Model used to collect data	KOMPAKT 4090	KOMPAKT 4090	KOMPAKT 4090	KOMPAKT 4090
Front tyres	340/85 R24	340/85 R24	340/85 R24	340/85 R24
Rear tyres	420/85 R34	420/85 R34	420/85 R34	420/85 R34
Required counterweight to meet EN 12525 safety standard	735	1151	1564	1558

LOADER SPECIFICATIONS MULTI 4100 - 4120

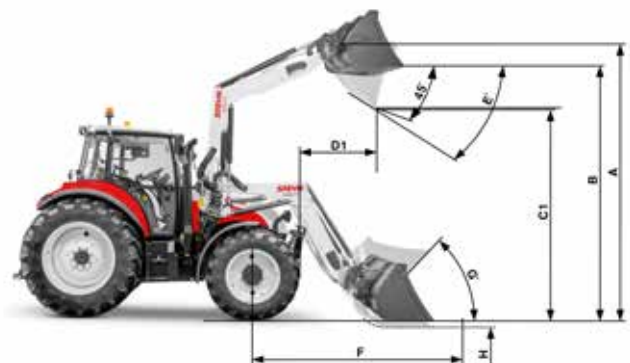
U MODELS	S3816U	S3916U	S3920U	S4018U
Self-levelling type	Mechanical Self Levelling	Mechanical Self Levelling	Mechanical Self Levelling	Mechanical Self Levelling
Loader Working Pressure [bar]	200	200	200	200
LIFT HEIGHTS				
A – Maximum lift height at implement pivot pin ¹⁾ [mm]	3786	3829	3829	3927
B – Maximum lift height under horizontal bucket ¹⁾ [mm]	3504	3547	3547	3645
C1 – Clearance under dumped bucket at Max dumped angle [mm]	2894	2937	2937	3035
D1 – Maximum reach at lift height / tires (bucket at 45° dumped position) [mm]	1035	1049	1049	991
WORKING ANGLES				
E – Maximum dumped angle ¹⁾ [°]	57	57	57	57
F – Reach with bucket on ground ¹⁾ [mm]	2370	2508	2508	2654
G – Maximum rollback angle ¹⁾ at ground level [°]	44	45	45	46
DIGGING DEPTH				
H – Digging depth* [°]	212	262	262	302
LIFTING CAPACITY				
Lift capacity to Maximum height - at implement pivot ¹⁾ [kg]	1832	1975	2319	2259
Lift capacity to 1.5 m height - at pivot point ¹⁾ [kg]	2051	2103	2475	2363
Breakout force at pivot pin ¹⁾ [kg]	2389	2340	2754	2597
Bucket rollback force at maximum height ¹⁾ [kg]	2041	1848	2279	1949
Bucket rollback force at ground level ¹⁾ [kg]	1320,0	1778	2194	1962
CYCLE TIME				
Raising time [sec.]	4.5	4.7	5.4	5.4
Lowering time [sec.]	2.8	2.9	3.2	3.2
Bucket dumped time from crowded position at max height [sec.]	0.6	0.8	0.9	0.8
Bucket Rollback time at ground level [sec.]	0.9	1.1	1.3	1.1
FEATURES				
Loader ready frame ²⁾	●	●	●	●
3 rd hydraulic function	●	●	●	●
MACH 2® (for 3 rd function implement coupling)	●	●	●	●
4 th hydraulic function	●	●	●	●
MACH 2® (for 4 th function implement coupling)	●	●	●	●
SHOCK ELIMINATOR® System	●	●	●	●
Electrical On / Off switch Shock Eliminator	●	●	●	●
MACH System®	●	●	●	●
FITLOCK 2+ System®	●	●	●	●
EURO QUICK ATTACH IMPLEMENT CARRIER	●	●	●	●
MX QUICK ATTACH IMPLEMENT CARRIER	●	●	●	●
OTHER QUICK OPTIONS: MX – EURO, EURO – SMS, MX – FAUCHEUX WHITE, EURO – TENIAS, EURO – SIGMA 4	●	●	●	●
FAST-LOCK System® (for EURO or MX QUICK ATTACH)	●	●	●	●
AUTO-UNLOAD System®	–	–	–	–
PCH SYSTEM® - Hydraulic self-levelling system	–	–	–	–
Mechanic self-levelling (MSL)	●	●	●	●
CONFIGURATION				
Model used to collect data	MULTI 4120	MULTI 4120	MULTI 4120	MULTI 4120
Front tyres	340/85 R28	340/85 R28	340/85 R28	340/85 R28
Rear tyres	420/85 R38	420/85 R38	420/85 R38	420/85 R38
Required counterweight to meet EN 12525 safety standard	1021	1071	1476	1452

Data collected with a STEYR MULTI 4120 equipped with 340/85 R28 front tyres and 420/85 R30 rear tyres.

¹⁾ According to ASABE S301.5

²⁾ Factory installed or with front loader option for dealer installation

● Standard ● Optional – Not available



T MODELS
S3814T
S3917T
S3920T
S4020T

	Hydraulic Self Levelling	Hydraulic Self Levelling	Hydraulic Self Levelling	Hydraulic Self Levelling
Self-levelling type				
Loader Working Pressure [bar]	200	200	200	200
LIFT HEIGHTS				
A – Maximum lift height at implement pivot pin ¹⁾ [mm]	3786	3829	3829	3927
B – Maximum lift height under horizontal bucket ¹⁾ [mm]	3504	3547	3547	3645
C1 – Clearance under dumped bucket at Max dumped angle [mm]	2894	2937	2937	3035
D1 – Maximum reach at lift height / tires (bucket at 45° dumped position) [mm]	1036	1049	1049	991
WORKING ANGLES				
E – Maximum dumped angle ¹⁾ [°]	57	57	57	57
F – Reach with bucket on ground ¹⁾ [mm]	2370	2508	2508	2654
G – Maximum rollback angle ¹⁾ at ground level [°]	44	45	45	46
DIGGING DEPTH				
H - Digging depth* [°]	212	262	262	302
LIFTING CAPACITY				
Lift capacity to Maximum height - at implement pivot ¹⁾ [kg]	1446	1807	2138	2081
Lift capacity to 1.5 m height - at pivot point ¹⁾ [kg]	1734	2046	2404	2311
Breakout force at pivot pin ¹⁾ [kg]	2007	2267	2665	2535
Bucket rollback force at maximum height ¹⁾ [kg]	1350	1894	1894	1882
Bucket rollback force at ground level ¹⁾ [kg]	1274	2023	2023	2068
CYCLE TIME				
Raising time [sec.]	3.8	4.7	5.4	5
Lowering time [sec.]	2.5	2.9	3.2	3
Bucket dumped time from crowded position at max height [sec.]	1.9	1.9	2.7	3
Bucket Rollback time at ground level [sec.]	1.1	1.9	1.9	2
FEATURES				
Loader ready frame ²⁾	●	●	●	●
3 rd hydraulic function	●	●	●	●
MACH 2® (for 3 rd function implement coupling)	●	●	●	●
4 th hydraulic function	●	●	●	●
MACH 2® (for 4 th function implement coupling)	●	●	●	●
SHOCK ELIMINATOR® System	●	●	●	●
Electrical On / Off switch Shock Eliminator	●	●	●	●
MACH System®	●	●	●	●
FITLOCK 2+ System®	●	●	●	●
EURO QUICK ATTACH IMPLEMENT CARRIER	●	●	●	●
MX QUICK ATTACH IMPLEMENT CARRIER	●	●	●	●
OTHER QUICK OPTIONS: MX – EURO, EURO – SMS, MX – FAUCHEUX WHITE, EURO – TENIAS, EURO - SIGMA 4	●	●	●	●
FAST-LOCK System® (for EURO or MX QUICK ATTACH)	●	●	●	●
AUTO-UNLOAD System®	●	●	●	●
PCH SYSTEM® - Hydraulic self-levelling system	●	●	●	●
Mechanic self-levelling (MSL)	–	–	–	–
CONFIGURATION				
Model used to collect data	MULTI 4120	MULTI 4120	MULTI 4120	MULTI 4120
Front tyres	340/85 R28	340/85 R28	340/85 R28	340/85 R28
Rear tyres	420/85 R38	420/85 R38	420/85 R38	420/85 R38
Required counterweight to meet EN 12525 safety standard	735	1151	1564	1558

LOADER SPECIFICATIONS EXPERT CVT 4100 - 4130

U MODEL

S3916U

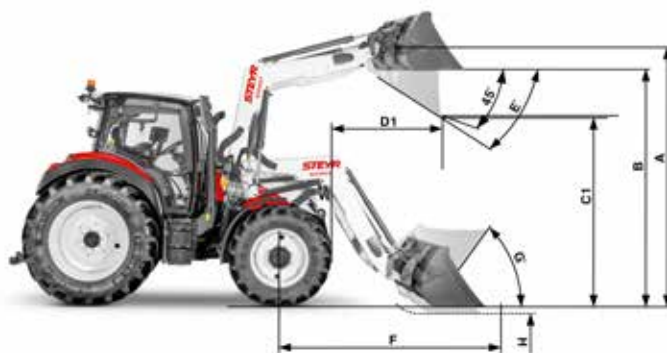
	Mechanical Self Levelling	Mechanical Self Levelling	Mechanical Self Levelling	Mechanical Self Levelling
Self-levelling type				
Loader Working Pressure [bar]	200	200	200	200
LIFT HEIGHTS				
A – Maximum lift height at implement pivot pin¹⁾ [mm]	3848	3848	3945	3945
B – Maximum lift height under horizontal bucket¹⁾ [mm]	3566	3566	3663	3663
C1 – Clearance under dumped bucket at Max dumped angle [mm]	2960	2960	3057	3057
D1 – Maximum reach at lift height / tires (bucket at 45° dumped position) [mm]	1045	1045	988	988
WORKING ANGLES				
E – Maximum dumped angle¹⁾ [°]	56	56	56	56
F – Reach with bucket on ground¹⁾ [mm]	2448	2448	2595	2595
G – Maximum rollback angle¹⁾ at ground level [°]	51	51	52	52
DIGGING DEPTH				
H – Digging depth* [°]	237	237	277	277
LIFTING CAPACITY				
Lift capacity to Maximum height - at implement pivot¹⁾ [kg]	2151	2523	2457	2848
Lift capacity to 1.5 m height - at pivot point¹⁾ [kg]	2230	2623	2505	2912
Breakout force at pivot pin¹⁾ [kg]	2445	2875	2717	3159
Bucket rollback force at maximum height¹⁾ [kg]	1938	2389	2037	2510
Bucket rollback force at ground level¹⁾ [kg]	1908	2352	2094	2579
CYCLE TIME				
Raising time [sec.]	4.7	5.4	5.4	6.2
Lowering time [sec.]	2.9	3.2	3.2	4.0
Bucket dumped time from crowded position at max height [sec.]	0.8	0.9	0.8	0.9
Bucket Rollback time at ground level [sec.]	1.1	1.3	1.1	1.3
FEATURES				
Loader ready frame²⁾	●	●	●	●
3rd hydraulic function	●	●	●	●
MACH 2® (for 3rd function implement coupling)	●	●	●	●
4th hydraulic function	●	●	●	●
MACH 2® (for 4th function implement coupling)	●	●	●	●
SHOCK ELIMINATOR® System	●	●	●	●
Electrical On / Off switch Shock Eliminator	●	●	●	●
MACH System®	●	●	●	●
FITLOCK 2+ System®	●	●	●	●
EURO QUICK ATTACH IMPLEMENT CARRIER	●	●	●	●
MX QUICK ATTACH IMPLEMENT CARRIER	●	●	●	●
OTHER QUICK OPTIONS: MX – EURO, EURO – SMS, MX – FAUCHEUX WHITE, EURO – TENIAS, EURO – SIGMA 4	●	●	●	●
FAST-LOCK System® (for EURO or MX QUICK ATTACH)	●	●	●	●
AUTO-UNLOAD System®	–	–	–	–
PCH SYSTEM® - Hydraulic self-levelling system	–	–	–	–
Mechanic self-levelling (MSL)	●	●	●	●
CONFIGURATION				
Model used to collect data	EXPERT 41000 CVT	EXPERT 41000 CVT	EXPERT 41000 CVT	EXPERT 41000 CVT
Front tyres	340/85 R28	340/85 R28	340/85 R28	340/85 R28
Rear tyres	420/85 R38	420/85 R38	420/85 R38	420/85 R38
Required counterweight to meet EN 12525 safety standard	659	1056	1035	1459

Data collected with a STEYR EXPERT 4100 CVT equipped with 340/85 R28 front tyres and 420/85 R38 rear tyres.

¹⁾ According to ASABE S301.5

²⁾ Factory installed or with front loader option for dealer installation

● Standard ● Optional – Not available



T MODELS
S3917T
S3920T
S4020T

	Hydraulic Self Levelling	Hydraulic Self Levelling	Hydraulic Self Levelling	Hydraulic Self Levelling
Self-levelling type				
Loader Working Pressure [bar]	200	200	200	200
LIFT HEIGHTS				
A – Maximum lift height at implement pivot pin¹⁾ [mm]	3848	3848	3945	3945
B – Maximum lift height under horizontal bucket¹⁾ [mm]	3566	3566	3663	3663
C1 – Clearance under dumped bucket at Max dumped angle [mm]	2960	2960	3057	3057
D1 – Maximum reach at lift height / tires (bucket at 45° dumped position) [mm]	1044	1044	988	988
WORKING ANGLES				
E – Maximum dumped angle¹⁾ [°]	56	56	56	56
F – Reach with bucket on ground¹⁾ [mm]	2448	2448	2595	2595
G – Maximum rollback angle¹⁾ at ground level [°]	51	51	52	52
DIGGING DEPTH				
H - Digging depth* [°]	237	237	277	277
LIFTING CAPACITY				
Lift capacity to Maximum height - at implement pivot¹⁾ [kg]	1974	2333	2270	2646
Lift capacity to 1.5 m height - at pivot point¹⁾ [kg]	2173	2552	2453	2845
Breakout force at pivot pin¹⁾ [kg]	2374	2789	2656	3082
Bucket rollback force at maximum height¹⁾ [kg]	1976	1976	1965	2422
Bucket rollback force at ground level¹⁾ [kg]	2157	2157	2204	2713
CYCLE TIME				
Raising time [sec.]	4.7	5.4	5.4	6.2
Lowering time [sec.]	2.9	3.2	3.2	4.0
Bucket dumped time from crowded position at max height [sec.]	1.9	2.7	2.7	2.7
Bucket Rollback time at ground level [sec.]	1.9	1.9	1.9	2.5
FEATURES				
Loader ready frame²⁾	●	●	●	●
3rd hydraulic function	●	●	●	●
MACH 2® (for 3rd function implement coupling)	●	●	●	●
4th hydraulic function	●	●	●	●
MACH 2® (for 4th function implement coupling)	●	●	●	●
SHOCK ELIMINATOR® System	●	●	●	●
Electrical On / Off switch Shock Eliminator	●	●	●	●
MACH System®	●	●	●	●
FITLOCK 2+ System®	●	●	●	●
EURO QUICK ATTACH IMPLEMENT CARRIER	●	●	●	●
MX QUICK ATTACH IMPLEMENT CARRIER	●	●	●	●
OTHER QUICK OPTIONS: MX – EURO, EURO – SMS, MX – FAUCHEUX WHITE, EURO – TENIAS, EURO – SIGMA 4	●	●	●	●
FAST-LOCK System® (for EURO or MX QUICK ATTACH)	●	●	●	●
AUTO-UNLOAD System®	●	●	●	●
PCH SYSTEM® - Hydraulic self-levelling system	●	●	●	●
Mechanic self-levelling (MSL)	–	–	–	–
CONFIGURATION				
Model used to collect data	EXPERT 41000 CVT	EXPERT 41000 CVT	EXPERT 41000 CVT	EXPERT 41000 CVT
Front tyres	340/85 R28	340/85 R28	340/85 R28	340/85 R28
Rear tyres	420/85 R38	420/85 R38	420/85 R38	420/85 R38
Required counterweight to meet EN 12525 safety standard	745	1153	1146	1576

LOADER SPECIFICATIONS PROFI 4115 - 6150

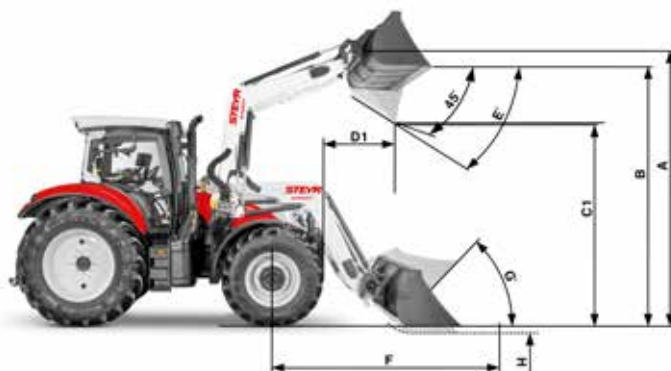
U MODELS	S4018U	S4022U	S4219U	S4222U	S4522U
Self-levelling type	Mechanical Self Levelling	Mechanical Self Levelling	Mechanical Self Levelling	Mechanical Self Levelling	Mechanical Self Levelling
Loader Working Pressure [bar]	210	210	210	210	210
LIFT HEIGHTS					
A – Maximum lift height at implement pivot pin ¹⁾ [mm]	4021	4021	4127	4127	4566
B – Maximum lift height under horizontal bucket ¹⁾ [mm]	3739	3739	3845	3845	4284
C1 – Clearance under dumped bucket at Max dumped angle [mm]	3133	3133	3239	3239	3678
D1 – Maximum reach at lift height / tires (bucket at 45° dumped position) [mm]	1043	1043	964	964	604
WORKING ANGLES					
E – Maximum dumped angle ¹⁾ [°]	56	56	56	56	56
F – Reach with bucket on ground ¹⁾ [mm]	2397	2397	2533	2533	2631
G – Maximum rollback angle ¹⁾ at ground level [°]	51	51	51	51	50
DIGGING DEPTH					
H – Digging depth* [°]	206	206	232	232	209
LIFTING CAPACITY					
Lift capacity to Maximum height - at implement pivot ¹⁾ [kg]	2547	2951	2485	2882	2825
Lift capacity to 1.5 m height - at pivot point ¹⁾ [kg]	2662	3092	2541	2957	2714
Breakout force at pivot pin ¹⁾ [kg]	2906	3377	2745	3194	2881
Bucket rollback force at maximum height ¹⁾ [kg]	2168	2670	2211	2722	2394
Bucket rollback force at ground level ¹⁾ [kg]	2134	2628	2258,0	2780	2598
CYCLE TIME					
Raising time [sec.]	5.4	6.2	5.4	6.2	6.4
Lowering time [sec.]	3.2	4.0	3.2	4.0	4.1
Bucket dumped time from crowded position at max height [sec.]	0.8	0.9	0.7	0.9	1.0
Bucket Rollback time at ground level [sec.]	1.1	1.3	1.1	1.2	1.0
FEATURES					
Loader ready frame ²⁾	●	●	●	●	●
3 rd hydraulic function	●	●	●	●	●
MACH 2® (for 3 rd function implement coupling)	●	●	●	●	●
4 th hydraulic function	●	●	●	●	●
MACH 2® (for 4 th function implement coupling)	●	●	●	●	●
SHOCK ELIMINATOR® System	●	●	●	●	●
Electrical On / Off switch Shock Eliminator	●	●	●	●	●
MACH System®	●	●	●	●	●
FITLOCK 2+ System®	●	●	●	●	●
EURO QUICK ATTACH IMPLEMENT CARRIER	●	●	●	●	●
MX QUICK ATTACH IMPLEMENT CARRIER	●	●	●	●	●
OTHER QUICK OPTIONS: MX – EURO, EURO – SMS, MX – FAUCHEUX WHITE, EURO – TENIAS, EURO – SIGMA 4	●	●	●	●	●
FAST-LOCK System® (for EURO or MX QUICK ATTACH)	●	●	●	●	●
AUTO-UNLOAD System®	–	–	–	–	–
PCH SYSTEM® - Hydraulic self-levelling system	–	–	–	–	–
Mechanic self-levelling (MSL)	●	●	●	●	●
CONFIGURATION					
Model used to collect data	PROFI 4135	PROFI 4135	PROFI 4135	PROFI 4135	PROFI 4135
Front tyres	480/65 R28	480/65 R28	480/65 R28	480/65 R28	480/65 R28
Rear tyres	600/65 R38	600/65 R38	600/65 R38	600/65 R38	600/65 R38
Required counterweight to meet EN 12525 safety standard	638	1054	615	1030	918

Data collected with a STEYR PROFI 4135 equipped with 480/65 R28 front tyres and 600/65 R38 rear tyres, with highest rated front axle.

¹⁾ According to ASABE S301.5

²⁾ Factory installed or with front loader option for dealer installation

● Standard ● Optional – Not available



T MODELS
S4020T
S4023T
S4223T
S4225T
S4522T

	Hydraulic Self Levelling	Hydraulic Self Levelling	Hydraulic Self Levelling	Hydraulic Self Levelling	Hydraulic Self Levelling
Self-levelling type					
Loader Working Pressure [bar]	210	210	210	210	210
LIFT HEIGHTS					
A – Maximum lift height at implement pivot pin¹⁾ [mm]	4021	4021	4129	4129	4566
B – Maximum lift height under horizontal bucket¹⁾ [mm]	3739	3739	3847	3847	4284
C1 – Clearance under dumped bucket at Max dumped angle [mm]	3133	3133	3241	3241	3678
D1 – Maximum reach at lift height / tires (bucket at 45° dumped position) [mm]	1042	1042	960	960	604
WORKING ANGLES					
E – Maximum dumped angle¹⁾ [°]	56	56	56	56	56
F – Reach with bucket on ground¹⁾ [mm]	2397	2397	2533	2533	2631
G – Maximum rollback angle¹⁾ at ground level [°]	51	51	51	51	50
DIGGING DEPTH					
H - Digging depth* [°]	206	206	232	232	209
LIFTING CAPACITY					
Lift capacity to Maximum height - at implement pivot¹⁾ [kg]	2366	2757	2666	3076	2565
Lift capacity to 1.5 m height - at pivot point¹⁾ [kg]	2610	3026	2895	3324	2708
Breakout force at pivot pin¹⁾ [kg]	2842	3296	3119	3583	2861
Bucket rollback force at maximum height¹⁾ [kg]	2093	2578	2532	2532	2399
Bucket rollback force at ground level¹⁾ [kg]	2247	2765	2839	2839	2891
CYCLE TIME					
Raising time [sec.]	5.4	6.2	6.2	7.0	6.4
Lowering time [sec.]	3.2	4.0	4.0	4.8	4.1
Bucket dumped time from crowded position at max height [sec.]	2.7	2.7	3.3	3.3	3.3
Bucket Rollback time at ground level [sec.]	1.9	2.5	2.5	2.5	2.5
FEATURES					
Loader ready frame²⁾	●	●	●	●	●
3rd hydraulic function	●	●	●	●	●
MACH 2® (for 3rd function implement coupling)	●	●	●	●	●
4th hydraulic function	●	●	●	●	●
MACH 2® (for 4th function implement coupling)	●	●	●	●	●
SHOCK ELIMINATOR® System	●	●	●	●	●
Electrical On / Off switch Shock Eliminator	●	●	●	●	●
MACH System®	●	●	●	●	●
FITLOCK 2+ System®	●	●	●	●	●
EURO QUICK ATTACH IMPLEMENT CARRIER	●	●	●	●	●
MX QUICK ATTACH IMPLEMENT CARRIER	●	●	●	●	●
OTHER QUICK OPTIONS: MX – EURO, EURO – SMS, MX – FAUCHEUX WHITE, EURO – TENIAS, EURO – SIGMA 4	●	●	●	●	●
FAST-LOCK System® (for EURO or MX QUICK ATTACH)	●	●	●	●	●
AUTO-UNLOAD System®	●	●	●	●	●
PCH SYSTEM® - Hydraulic self-levelling system	●	●	●	●	●
Mechanic self-levelling (MSL)	-	-	-	-	-
CONFIGURATION					
Model used to collect data	PROFI 4135	PROFI 4135	PROFI 4135	PROFI 4135	PROFI 4135
Front tyres	480/65 R28	480/65 R28	480/65 R28	480/65 R28	480/65 R28
Rear tyres	600/65 R38	600/65 R38	600/65 R38	600/65 R38	600/65 R38
Required counterweight to meet EN 12525 safety standard	760	1182	1135	1588	1047

LOADER SPECIFICATIONS **IMPULS CVT 6150 - 6175**

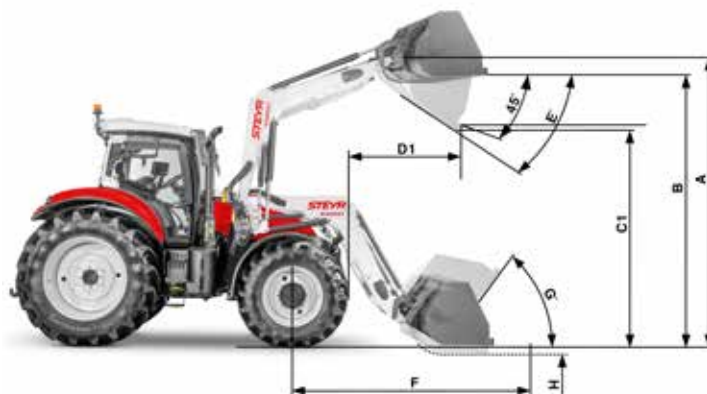
U MODELS	S4018U	S4022U	S4219U
Self-levelling type	Mechanical Self Levelling	Mechanical Self Levelling	Mechanical Self Levelling
Loader Working Pressure [bar]	210	210	210
LIFT HEIGHTS			
A – Maximum lift height at implement pivot pin ¹⁾ [mm]	4129	4129	4575
B – Maximum lift height under horizontal bucket ¹⁾ [mm]	3847	3847	4293
C1 – Clearance under dumped bucket at Max dumped angle [mm]	3237	3237	3683
D1 – Maximum reach at lift height / tires (bucket at 45° dumped position) [mm]	1011	1011	652
WORKING ANGLES			
E – Maximum dumped angle ¹⁾ [°]	57	57	57
F – Reach with bucket on ground ¹⁾ [mm]	2522	2522	2617
G – Maximum rollback angle ¹⁾ at ground level [°]	50	50	49
DIGGING DEPTH			
H – Digging depth* [°]	237	237	214
LIFTING CAPACITY			
Lift capacity to Maximum height - at implement pivot ¹⁾ [kg]	2412	2799	2728
Lift capacity to 1.5 m height - at pivot point ¹⁾ [kg]	2546	2962	2720
Breakout force at pivot pin ¹⁾ [kg]	2789	3246	2924
Bucket rollback force at maximum height ¹⁾ [kg]	2242	2760	2426
Bucket rollback force at ground level ¹⁾ [kg]	2221	2733	2558
CYCLE TIME			
Raising time [sec.]	5.4	6.2	6.4
Lowering time [sec.]	3.2	4.0	4.1
Bucket dumped time from crowded position at max height [sec.]	0.7	0.9	1.0
Bucket Rollback time at ground level [sec.]	1.1	1.2	1.3
FEATURES			
Loader ready frame ²⁾	●	●	●
3 rd hydraulic function	●	●	●
MACH 2® (for 3 rd function implement coupling)	●	●	●
4 th hydraulic function	●	●	●
MACH 2® (for 4 th function implement coupling)	●	●	●
SHOCK ELIMINATOR® System	●	●	●
Electrical On / Off switch Shock Eliminator	●	●	●
MACH System®	●	●	●
FITLOCK 2+ System®	●	●	●
EURO QUICK ATTACH IMPLEMENT CARRIER	●	●	●
MX QUICK ATTACH IMPLEMENT CARRIER	●	●	●
OTHER QUICK OPTIONS: MX – EURO, EURO – SMS, MX – FAUCHEUX WHITE, EURO – TENIAS, EURO – SIGMA 4	●	●	●
FAST-LOCK System® (for EURO or MX QUICK ATTACH)	●	●	●
AUTO-UNLOAD System®	–	–	–
PCH SYSTEM® - Hydraulic self-levelling system	–	–	–
Mechanic self-levelling (MSL)	●	●	●
CONFIGURATION			
Model used to collect data	IMPULS 6175	IMPULS 6175	IMPULS 6175
Front tyres	14.9 R28	14.9 R28	14.9 R28
Rear tyres	18.4 R38	18.4 R38	18.4 R38
Required counterweight to meet EN 12525 safety standard	536	953	838

Data collected with a STEYR IMPULS 6175 equipped with 14.9 R28 front tyres and 18.4 R38 rear tyres.

¹⁾ According to ASABE S301.5

²⁾ Factory installed or with front loader option for dealer installation

● Standard ● Optional – Not available



T MODELS	S4223T	S4225T	S4522T	S4627T
Self-levelling type	Hydraulic Self Levelling	Hydraulic Self Levelling	Hydraulic Self Levelling	Hydraulic Self Levelling
Loader Working Pressure [bar]	210	210	210	210
LIFT HEIGHTS				
A – Maximum lift height at implement pivot pin ¹⁾ [mm]	4132	4132	4575	4598
B – Maximum lift height under horizontal bucket ¹⁾ [mm]	3850	3850	4293	4316
C1 – Clearance under dumped bucket at Max dumped angle [mm]	3240	3240	3683	3706
D1 – Maximum reach at lift height / tires (bucket at 45° dumped position) [mm]	1008	1008	652	619
WORKING ANGLES				
E – Maximum dumped angle ¹⁾ [°]	57	57	57	57
F – Reach with bucket on ground ¹⁾ [mm]	2522	2522	2617	2617
G – Maximum rollback angle ¹⁾ at ground level [°]	50	50	49	49
DIGGING DEPTH				
H - Digging depth* [°]	237	237	214	214
LIFTING CAPACITY				
Lift capacity to Maximum height - at implement pivot ¹⁾ [kg]	2594	2994	2486	3261
Lift capacity to 1.5 m height - at pivot point ¹⁾ [kg]	2900	3330	2714	3513
Breakout force at pivot pin ¹⁾ [kg]	3167	3639	2901	3763
Bucket rollback force at maximum height ¹⁾ [kg]	2570	2570	2434	2917
Bucket rollback force at ground level ¹⁾ [kg]	2797	2797,0	2852	3415
CYCLE TIME				
Raising time [sec.]	6.2	7.0	6.4	8.2
Lowering time [sec.]	4.0	4.8	4.1	5.9
Bucket dumped time from crowded position at max height [sec.]	3.3	3.3	3.3	3.8
Bucket Rollback time at ground level [sec.]	2.5	3.0	2.5	2.7
FEATURES				
Loader ready frame ²⁾	●	●	●	●
3 rd hydraulic function	●	●	●	●
MACH 2® (for 3 rd function implement coupling)	●	●	●	●
4 th hydraulic function	●	●	●	●
MACH 2® (for 4 th function implement coupling)	●	●	●	●
SHOCK ELIMINATOR® System	●	●	●	●
Electrical On / Off switch Shock Eliminator	●	●	●	●
MACH System®	●	●	●	●
FITLOCK 2+ System®	●	●	●	●
EURO QUICK ATTACH IMPLEMENT CARRIER	●	●	●	●
MX QUICK ATTACH IMPLEMENT CARRIER	●	●	●	●
OTHER QUICK OPTIONS: MX – EURO, EURO – SMS, MX – FAUCHEUX WHITE, EURO – TENIAS, EURO - SIGMA 4	●	●	●	●
FAST-LOCK System® (for EURO or MX QUICK ATTACH)	●	●	●	●
AUTO-UNLOAD System®	●	●	●	●
PCH SYSTEM® - Hydraulic self-levelling system	●	●	●	●
Mechanic self-levelling (MSL)	-	-	-	-
CONFIGURATION				
Model used to collect data	IMPULS 6175	IMPULS 6175	IMPULS 6175	IMPULS 6175
Front tyres	14.9 R28	14.9 R28	14.9 R28	14.9 R28
Rear tyres	18.4 R38	18.4 R38	18.4 R38	18.4 R38
Required counterweight to meet EN 12525 safety standard	1057	1512	967	1871

T MODEL

S4727T

Self-levelling type	Hydraulic Self Levelling
Loader Working Pressure [bar]	210
LIFT HEIGHTS	
A – Maximum lift height at implement pivot ¹⁾ [mm]	4680
B – Maximum lift height under horizontal bucket ¹⁾ [mm]	4398
C1 – Clearance under dumped bucket at Max dumped angle [mm]	3797
D1 – Maximum reach at lift height / tires (bucket at 45° dumped position) [mm]	1001
WORKING ANGLES	
E – Maximum dumped angle ¹⁾ [°]	55
F – Reach with bucket on ground ¹⁾ [mm]	2492
G – Maximum rollback angle ¹⁾ at ground level [°]	45
DIGGING DEPTH	
H - Digging depth* [°]	172
LIFTING CAPACITY	
Lift capacity to Maximum height - at implement pivot ¹⁾ [kg]	2918
Lift capacity to 1.5 m height - at pivot point ¹⁾ [kg]	3571
Breakout force at pivot pin ¹⁾ [kg]	4009
Bucket rollback force at maximum height ¹⁾ [kg]	3083
Bucket rollback force at ground level ¹⁾ [kg]	3147
CYCLE TIME	
Raising time [sec.]	8.2
Lowering time [sec.]	5.9
Bucket dumped time from crowded position at max height [sec.]	3.8
Bucket Rollback time at ground level [sec.]	2.7
FEATURES	
Loader ready frame ²⁾	●
3 rd hydraulic function	●
MACH 2® (for 3 rd function implement coupling)	●
4 th hydraulic function	●
MACH 2® (for 4 th function implement coupling)	●
SHOCK ELIMINATOR® System	●
Electrical On / Off switch Shock Eliminator	●
MACH System®	●
FITLOCK 2+ System®	●
EURO QUICK ATTACH IMPLEMENT CARRIER	●
MX QUICK ATTACH IMPLEMENT CARRIER	●
OTHER QUICK OPTIONS: MX – EURO, EURO – SMS, MX – FAUCHEUX WHITE, EURO – TENIAS, EURO - SIGMA 4	●
FAST-LOCK System® (for EURO or MX QUICK ATTACH)	●
AUTO-UNLOAD System®	●
PCH SYSTEM® - Hydraulic self-levelling system	●
Mechanic self-levelling (MSL)	-
CONFIGURATION	
Model used to collect data	ABSOLUT 6200 CVT
Front tyres	600/65 R28
Rear tyres	650/65 R42
Required counterweight to meet EN 12525 safety standard	1148

Data collected with a STEYR ABSOLUT 6200 CVT equipped with 600/65 R28 front tyres and 650/65 R42 rear tyres.

¹⁾ According to ASABE S301.5

²⁾ Factory installed or with front loader option for dealer installation

- Standard
- Optional
- Not available

LOADER COMPATIBILITY

STEYR MODELS	KOMPAKT S 4055 - 4065	KOMPAKT 4080 - 4120	MULTI 4100 - 4120	EXPERT CVT 4100 - 4130	PROFI 4115 - 6150	IMPULS CVT 6150 - 6175	ABSOLUT CVT 6150 - 6175
T RANGE							
S4727T							•
S4627T						•	
S4522T					•	•	
S4225T					•	•	
S4223T					•	•	
S4023T				•	•		
S4020T		•	•	•	•		
S3920T		•	•				
S3917T		•	•	•			
S3814T	•	•	•				
U RANGE							
S4522U					•	•	
S4222U					•	•	
S4219U					•	•	
S4022U				•	•		
S4018U		•	•	•	•		
S3920U		•	•	•			
S3916U		•	•	•			
S3816U		•	•				
S3814U	•	•					
S3512U	•						

• Combination tractor and front loader allowed

You drive better when you are safe. Before using this vehicle, please read the Operating Manual and become familiar with the use of each of the controls. Note the contents of the instruction panels and use the safety equipment for your own personal safety. This brochure is intended for use internationally. The availability of a few models and of standard and special equipment items may vary from one country to another.



STEYR reserves the right at any time and without prior announcement to make changes to the design and technical version without this in any way obliging STEYR to transfer these to units already sold. Details, descriptions and pictorial material reflect the current status at the date of publication, but can be amended without prior announcement and at any time. Pictorial materials may show certain national versions, items of special equipment as well as non-complete standard versions.

TP01 / SM / 03.22 / Printed in Austria
www.steyr-traktoren.com

steyr-traktoren.com



STEYR
TRAKTOREN